

CONICAL ROUNDER WITH ADJUSTABLE CHANNELS CONIBALL R

USE

- Machine for rounding both soft and medium doughs..
- Weight from 30 gr to 1600 gr.
- Production rate (*):1 500 pieces per hour.

(*): Information may be changed as per the nature of the dough.

FEATURES

- Steel frame.
- Cone bell in anticorodal aluminium with Teflon (on option).
- Fixed teflon-coated channels
- Belt drive
- Mechanic brush type flour device with adjustable flow rate.
- Machine on castors with a locking system
- Channels length : : 3,71 m



Dough ball rounding

The rolling effect is achieved thanks to a cone that while rotating, rolls the dough along a concave spiral-shaped way and enables production of spheric dough balls.

Regularity activity

La possibilité de régler, par les petits volants, la distance des canaux du cône, permet d'avoir non seulement la même précision de forme pour les pâtons de 30 à 1 600 gr mais également de calibrer la force d'enroulement.

Economical Solution

The capacity to round a various weight of dough balls allows to realize the activity of 2 Fixed Channels conicals Rounders.

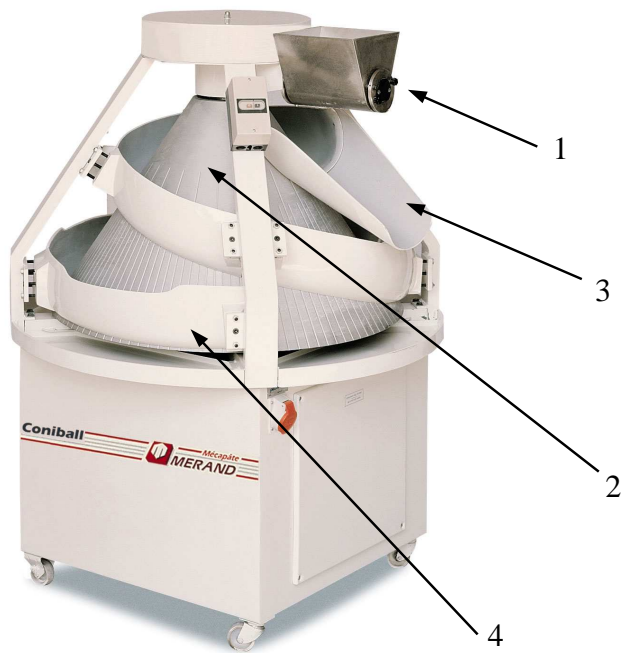
Channels and Cone in Teflon-coated :

Dough sliding is easier.
Guarantees a higher easiness for working.

OPTIONS

- **Options of cones :**
with tightened racks or spaced, rough...
- **Air hot and cold ventilation system :**
By simply and slightly drying the dough system, you can easily process the wettest doughs.

PRESENTATION



- 1— Flour device
2— Cone bell in Teflon
3— Discharge hopper
4— Channels in Teflon ajustables manually.

WEIGHT - PACKING

Net weight CONIBALL R : 360 kg

Packaging in openwork wood box :

Gross weight : 390 kg

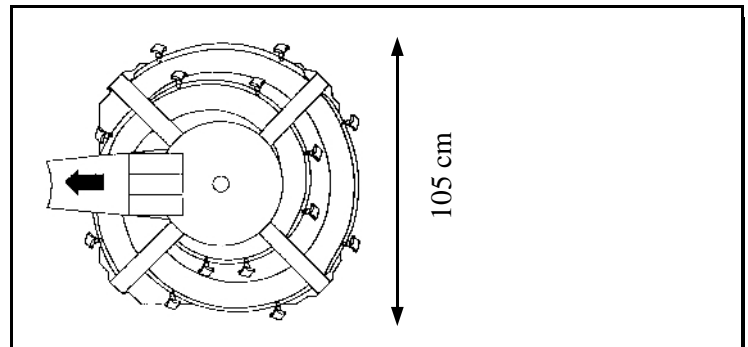
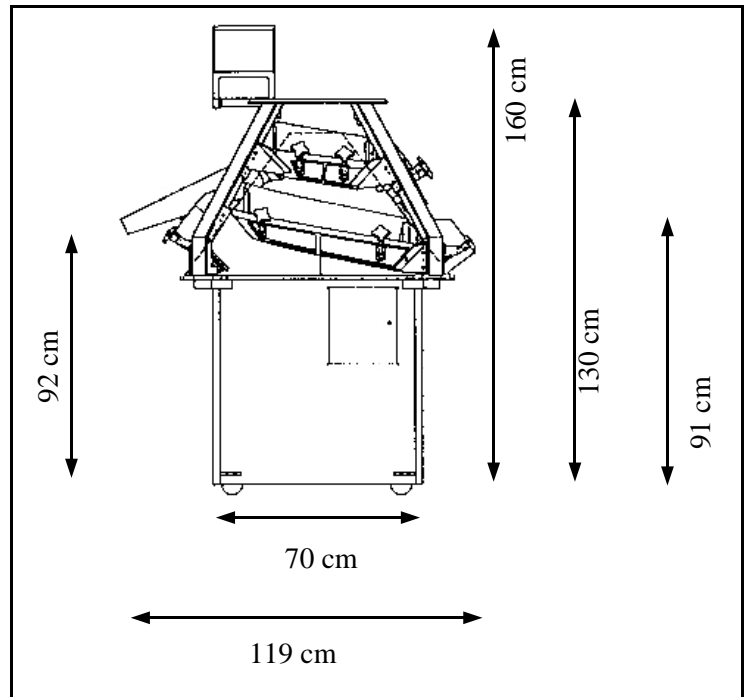
Dimensions (Depth x Width x Height) :
1,31 m x 1,31 m x 1,82 m

SECURITY - HYGIENE

The conical Rounder is in accordance :

- With the 89/392 EEC, the directive on hatches
- With the labour regulations.

OVERALL DIMENSIONS



ELECTRICAL FEATURES

- 380 Volts / 50 Hz / 1,96 Kw / 5.15 A
- 380 Volts / 60 Hz / 1,96 Kw / 5.15 A
- 220 Volts / 50 Hz / 1,96 Kw / 8.90 A
- 220 Volts / 60 Hz / 1,96 Kw / 8.90 A

 **MÉCAPÂTE**
Le Maître d'œuvre de la pâte

Distributed by :